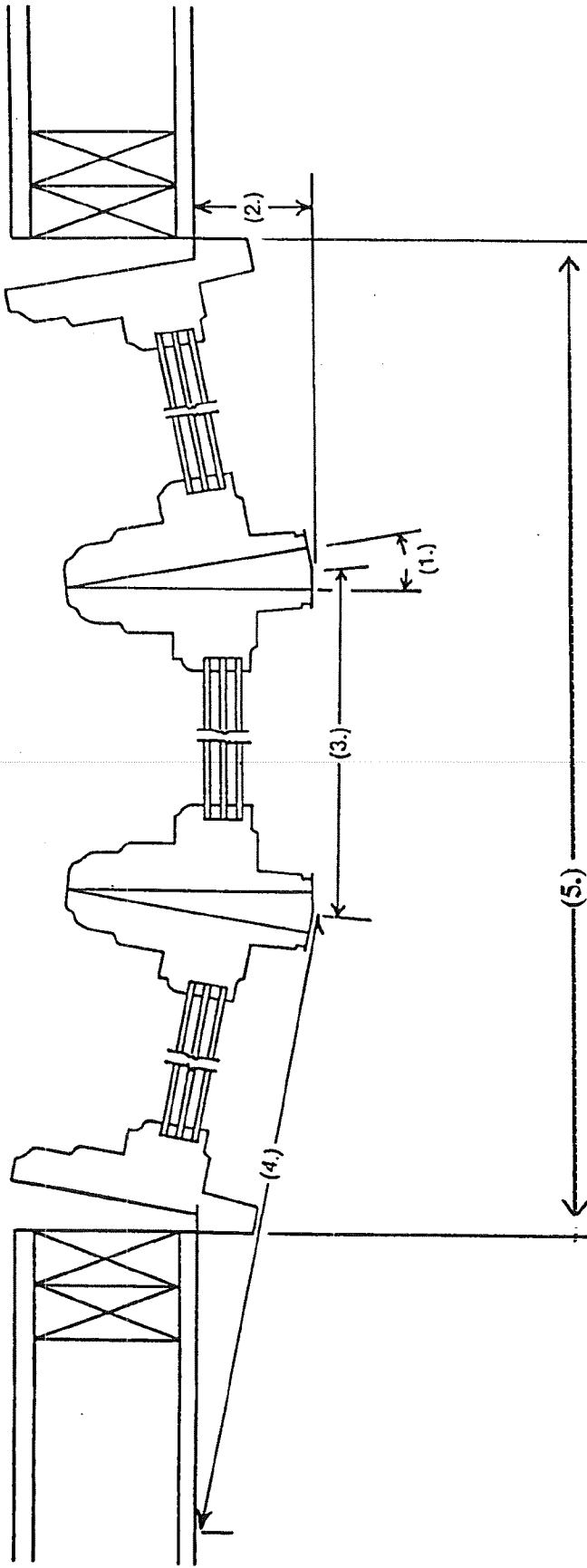


DecoRoof Specifications Required For 3 Panel Bow Windows

NOTE: All dimensions are measured along the *extreme outside perimeter* of any casing, cladding, or brickmould.
Use nearest 1/16"



Manufacturer / Model #: _____

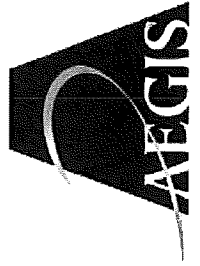
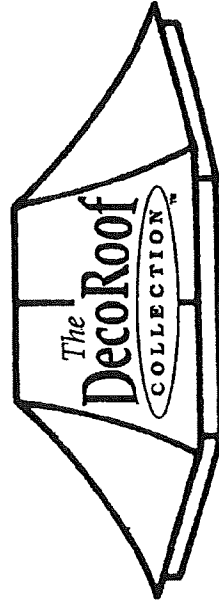
1.) Angle: _____

2.) Projection: _____

3.) Point-to-Point Panel: _____

4.) Point to Wall Panel: _____

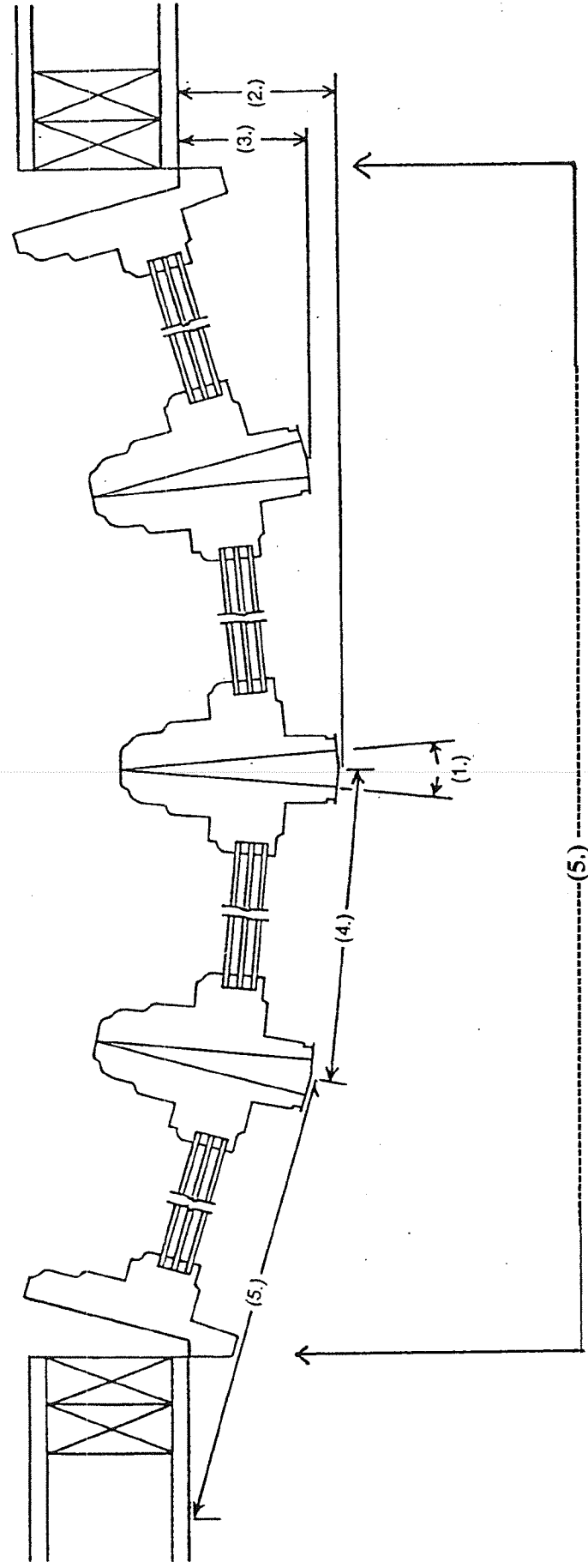
5.) Unit Width: _____



210 Old Airport Rd
Fletcher, NC 28732
(800) 326-5355 - Phone
(800) 325-5355 - Fax

DecoRoof Specifications Required For 4 Panel Bow Windows

NOTE: All dimensions are measured along the *extreme outside perimeter* of any casing, cladding, or brickmould.
Use nearest 1/16"



Manufacturer / Model #: _____

1.) Angle: _____

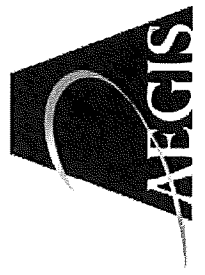
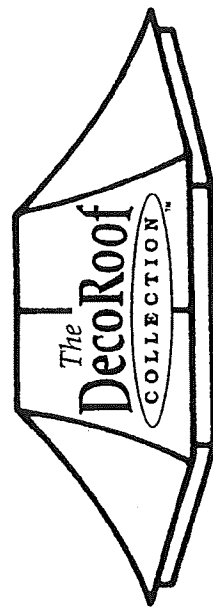
2.) Projection #1: _____

3.) Projection #2: _____

4.) Point to Point Panel: _____

5.) Point To Wall Panel: _____

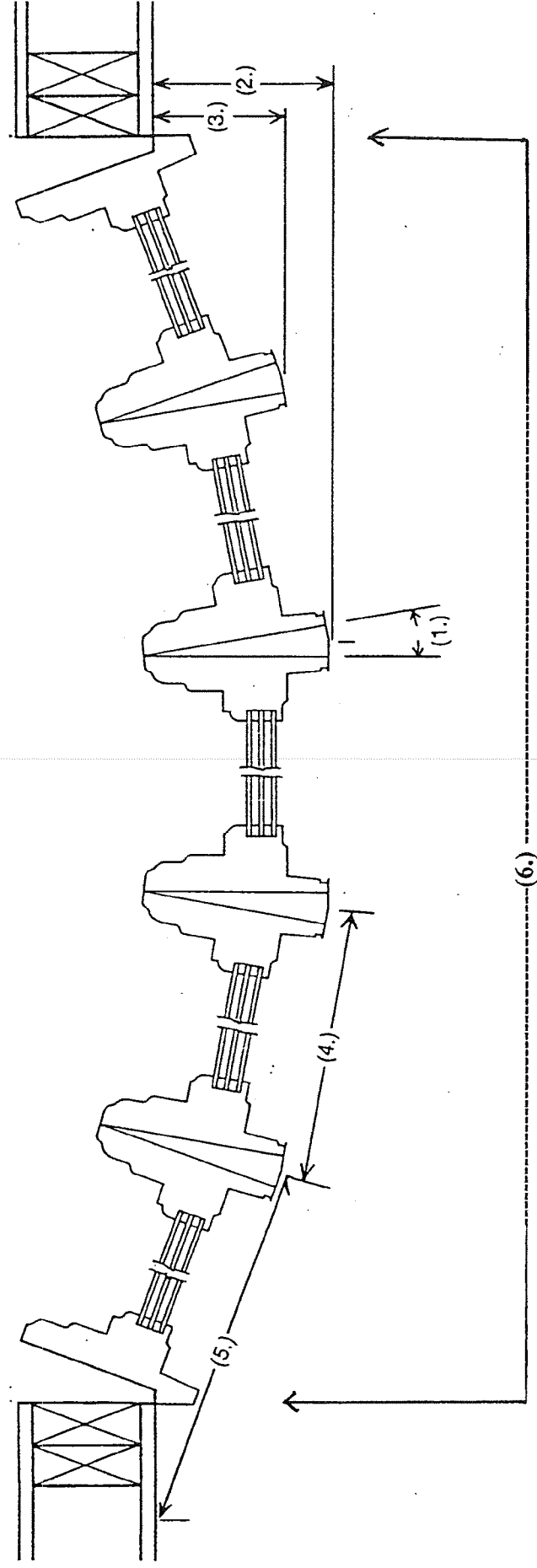
6.) Unit Width: _____



210 Old Airport Rd
Fletcher, NC 28732
(800) 326-5355 - Phone
(800) 325-5355 - Fax

DecoRoof Specifications Required For 5 Panel Bow Windows

NOTE: All dimensions are measured along the *extreme outside perimeter* of any casing, cladding, or brickmould.
Use nearest 1/16".



Manufacturer / Model #: _____

1.) Angle: _____

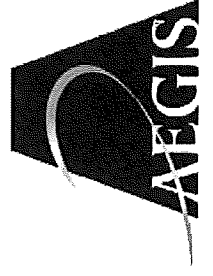
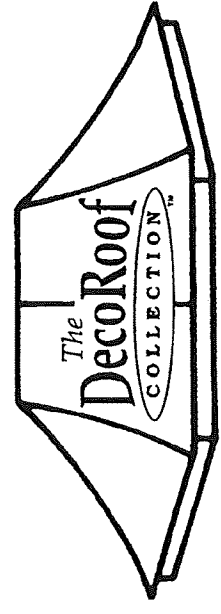
2.) Projection #1: _____

3.) Projection #2: _____

4.) Point to Point Panel: _____

5.) Point To Wall Panel: _____

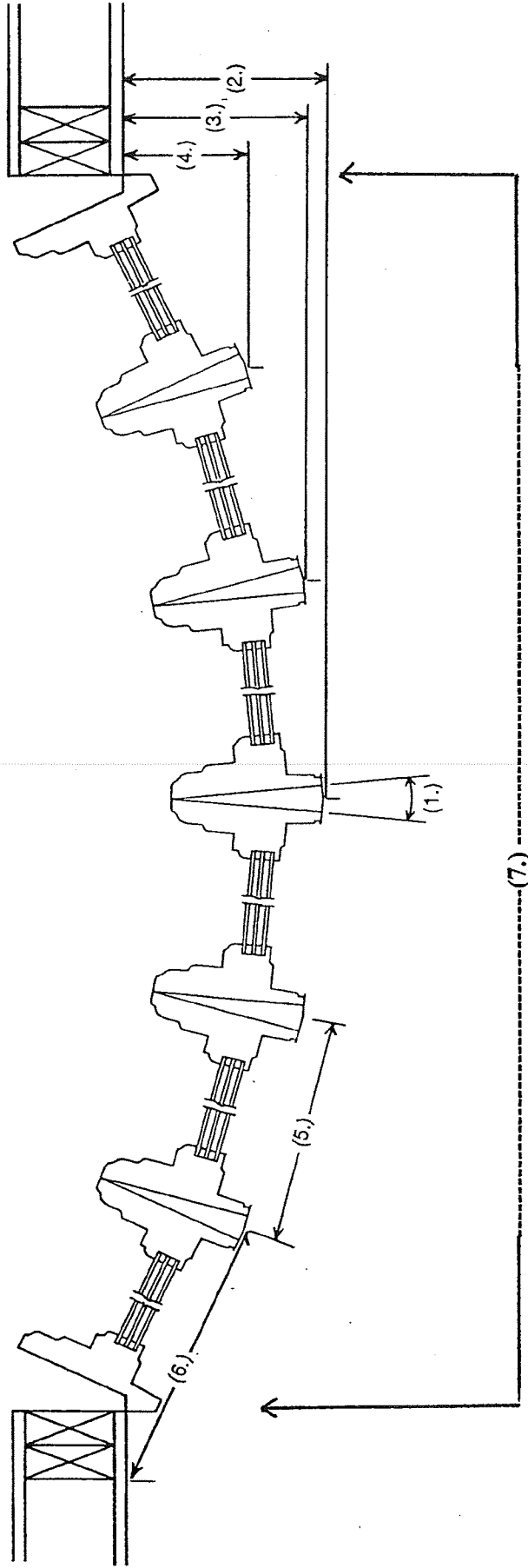
6.) Unit Width: _____



210 Old Airport Rd
Fletcher, NC 28732
(800) 326-5355 - Phone
(800) 325-5355 - Fax

DecoRoof Specifications Required For 6 Panel Bow Windows

NOTE: All dimensions are measured along the *extreme outside perimeter* of any casing, cladding, or brickmould.
Use nearest 1/16".



Manufacturer / Model #: _____

1.) Angle: _____

2.) Projection #1: _____

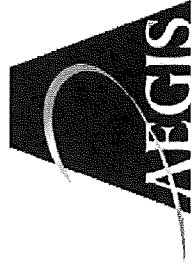
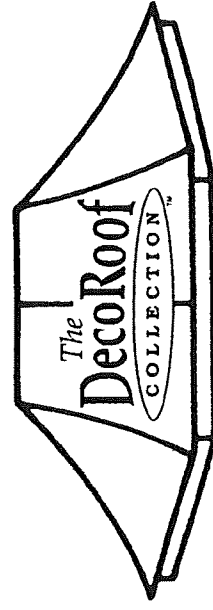
3.) Projection #2: _____

4.) Projection #3: _____

5.) Point to Point Panel: _____

6.) Point To Wall Panel: _____

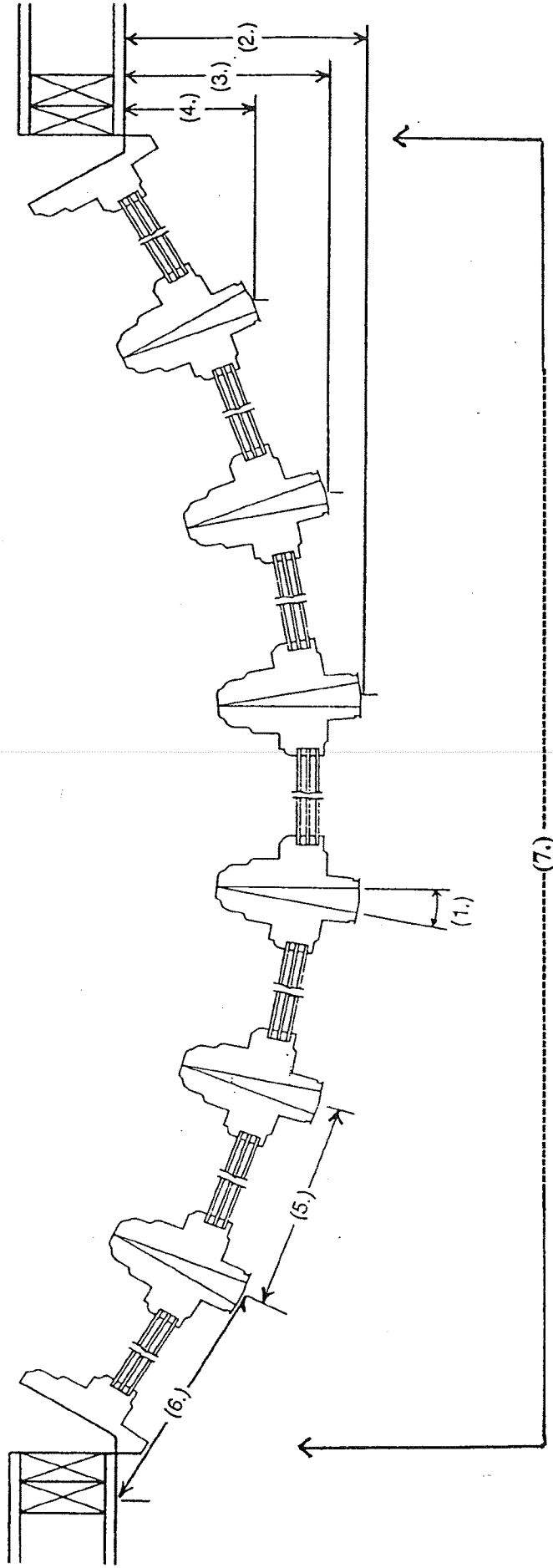
7.) Unit Dimension: _____



210 Old Airport Rd
Fletcher, NC 28732
(800) 326-5355 - Phone
(800) 325-5355 - Fax

DecoRoof Specifications Required For 7 Panel Bow Windows

NOTE: All dimensions are measured along the *extreme outside perimeter* of any casing, cladding, or brickmould.
Use nearest 1/16".



Manufacturer / Model #: _____

1.) Angle: _____

2.) Projection #1: _____

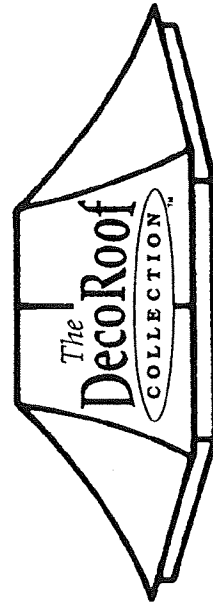
3.) Projection #2: _____

4.) Projection #3: _____

5.) Point to Point Panel: _____

6.) Point To Wall Panel: _____

7.) Unit Dimension: _____



210 Old Airport Rd
Fletcher, NC 28732
(800) 326-5355 - Phone
(800) 325-5355 - Fax

